

FEATURES

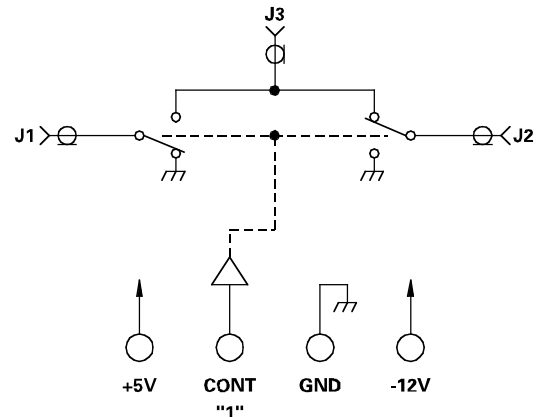
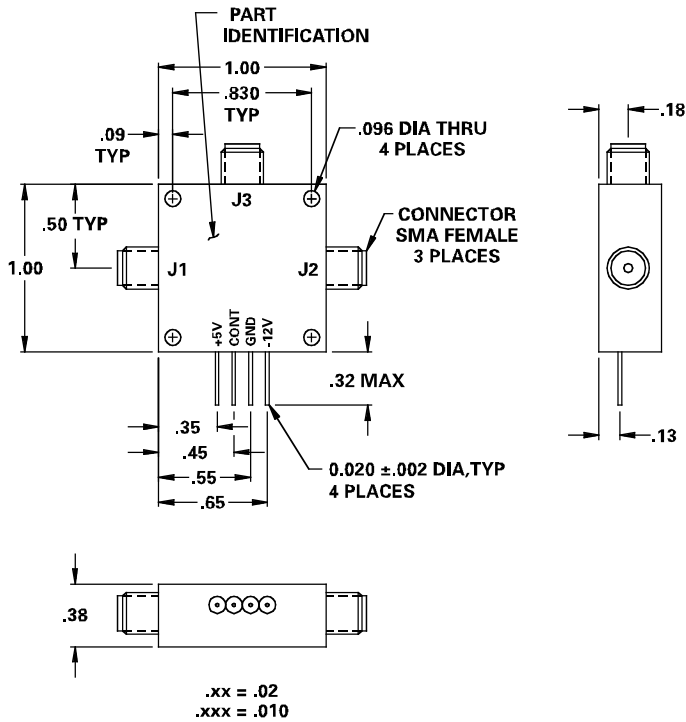
- .5 - 6 GHz
- +49 dBm 3rd Order Intercept Point
- 0.5 dB Insertion Loss
- High Isolation
- SMA Connectors



**MODEL NO.
CSW26252**

Switch SP2T

SP2T



GUARANTEED PERFORMANCE

Parameter	Min	Typ	Max	Units	Conditions
Operating Frequency	0.5		6	GHz	
DC Current		10.6 22.4	150 160	mA	At +5 VDC Supply At -12 VDC Supply
Control Type		TTL			1 Line Logic "1" = J2 - J3
Control Current	<i>High</i> <i>Low</i>	±1 ±1		µA µA	V _{IH} = +2.7 V V _{IL} = +0.5 V
Insertion Loss		0.43 0.51	0.9 1.1	dB dB	0.5 - 2.0 GHz 2.0 - 6.0 GHz
Isolation		40	62	dB	
VSWR	<i>Thru</i>	1.12/1	1.7/1		
Impedance		50		OHMS	
Switching Speed		0.17	2	µSec	50% TTL - 90% / 10% RF
Switching (Video) Transients		115		mV	Peak Value
Intercept Points	<i>2nd</i> <i>3rd</i>	+50 +20	+71 +49	dBm dBm	1.0 / 2.0 GHz 1.0 / 3.0 GHz
RF Power	<i>Operate</i> <i>No Damage</i>	+27 +20	+20	dBm dBm	0.1 dB Compression
Operating Temperature	-54	+25	+55	°C	TA

